

12 Y: 110,000
 11 Y: 110,000
 10 Y: 100,000
 9 Y: 90,000
 8 Y: 80,000
 7 Y: 70,000
 6 Y: 60,000
 5 Y: 50,000
 4 Y: 40,000
 3 Y: 30,000
 2 Y: 20,000
 1 Y: 10,000

HOTEL + RESTAURANT

PROJECT WORK SCOPE SEPARATION AND APPROVALS PATHWAYS

CHILD-CARE FACILITY

LIBRARY

EXISTING ASPHALT CARPARK

MIDDLETON STREET

Shared Path and Park Seating Works (DA + EIS)

Skate Park and Recreation Precinct Works (REF)

COURT HOUSE

NEW YARNING CIRCLE WITH SEATING. REFER TO MATERIALS AND FINISHES SCHEDULE.

NEW SEATING AMONGST EXISTING TREES. LOCATION TBC ON SITE BY SUPERINTENDENT TO AVOID EXISTING TREES. REFER TO MATERIALS AND FINISHES SCHEDULE.

NEW SIGNAGE - WELCOME SIGN. REFER TO MATERIALS AND FINISHES SCHEDULE.

NEW SEATING AMONGST EXISTING TREES. LOCATION TBC ON SITE BY SUPERINTENDENT TO AVOID EXISTING TREES. REFER TO MATERIALS AND FINISHES SCHEDULE.

NEW SIGNAGE - ENTRY SIGN. REFER TO MATERIALS AND FINISHES SCHEDULE.

PROPOSED BOLLARDS AT PARK ENTRY.

NEW SIGNAGE - BUSH TUCKER SIGN. REFER TO MATERIALS AND FINISHES SCHEDULE.

NEW SIGNAGE - SAFETY SIGN. REFER TO MATERIALS AND FINISHES SCHEDULE.

NEW PICNIC AREA WITH NEW 800, PICNIC TABLES AND SHELTER. REFER TO MATERIALS AND FINISHES SCHEDULE.

NEW SHELTER. REFER TO MATERIALS AND FINISHES SCHEDULE.

NEW SKATE DOWN AREA. AREA INCLUDES PERIMETER BALLUSTRADE, SEATING, SHELTER, ACCESSIBLE RAMP.

HEADWALL TO BE INSTALLED. CONTRACTOR TO VERIFY WATER PENETRATION RATE WORKS.

NEW SEATING AMONGST EXISTING TREES. LOCATION TBC ON SITE BY SUPERINTENDENT TO AVOID EXISTING TREES.

NEW SHELTER. REFER TO MATERIALS AND FINISHES SCHEDULE.

NEW SIGNAGE - SAFETY SIGN. REFER TO MATERIALS AND FINISHES SCHEDULE.

PROPOSED NEW BOLLARDS AT PARK ENTRY.

NEW SIGNAGE - ENTRY SIGN. REFER TO MATERIALS AND FINISHES SCHEDULE.

NEW SHELTER. REFER TO MATERIALS AND FINISHES SCHEDULE.

NEW TABLE TENNIS TABLE, SEATING, AND DRINKING FOUNTAIN. REFER TO MATERIALS AND FINISHES SCHEDULE.

NEW SIGNAGE - BUSH TUCKER SIGN. REFER TO MATERIALS AND FINISHES SCHEDULE.

NEW CLIMBING WALL. REFER TO MATERIALS AND FINISHES SCHEDULE.

EXISTING SEWER PIPE TO REMAIN IN PLACE. PROPOSED NEW CONSTRUCTION WORKS OVER EXISTING SEWER. LOCATION HAVE BEEN APPROVED BY COUNCIL.

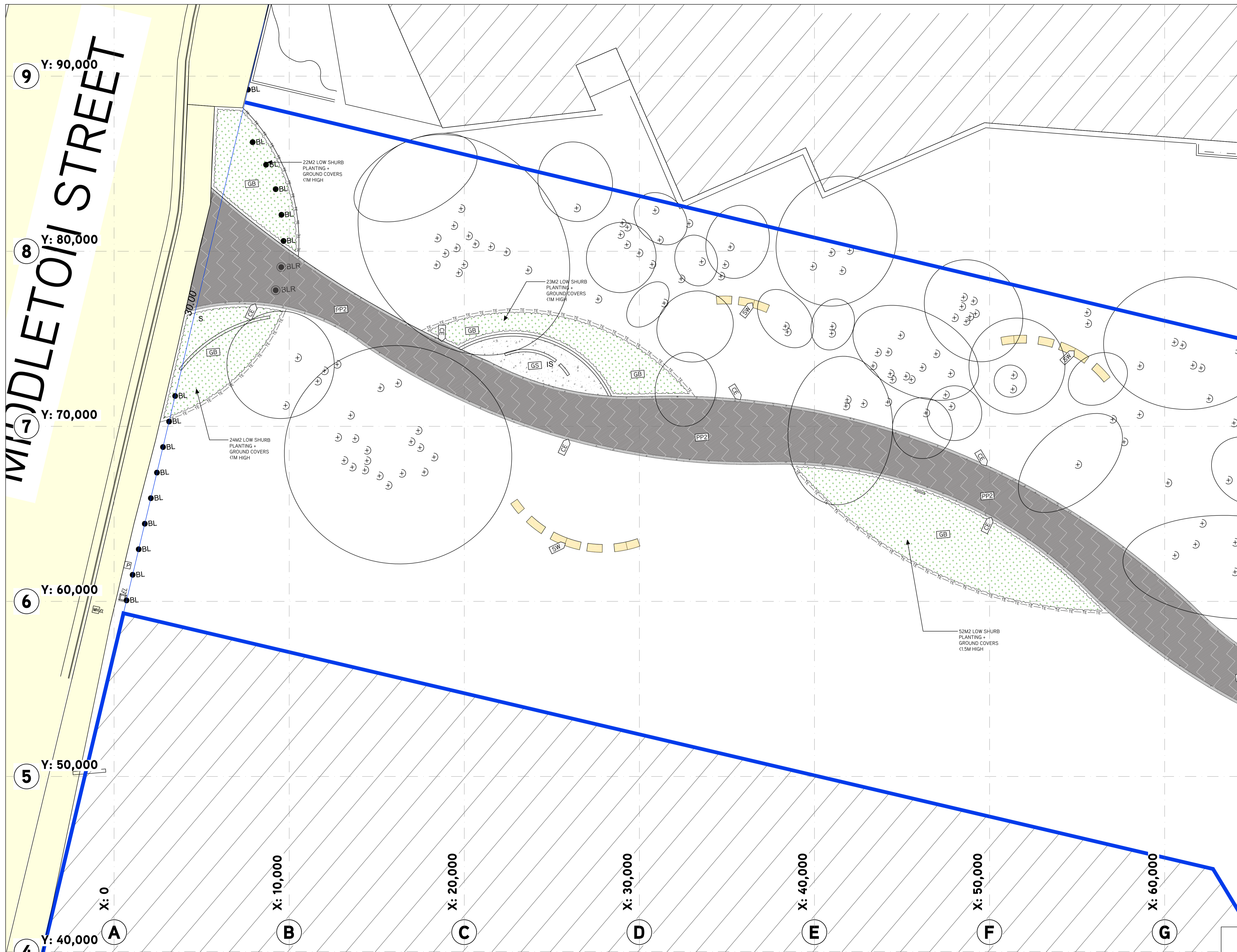
EXACT POSITION TO BE CONFIRMED BY CONTRACTOR.

CONTRACTOR TO CHECK FOR CONFLICTS WITH NEW WORKS.

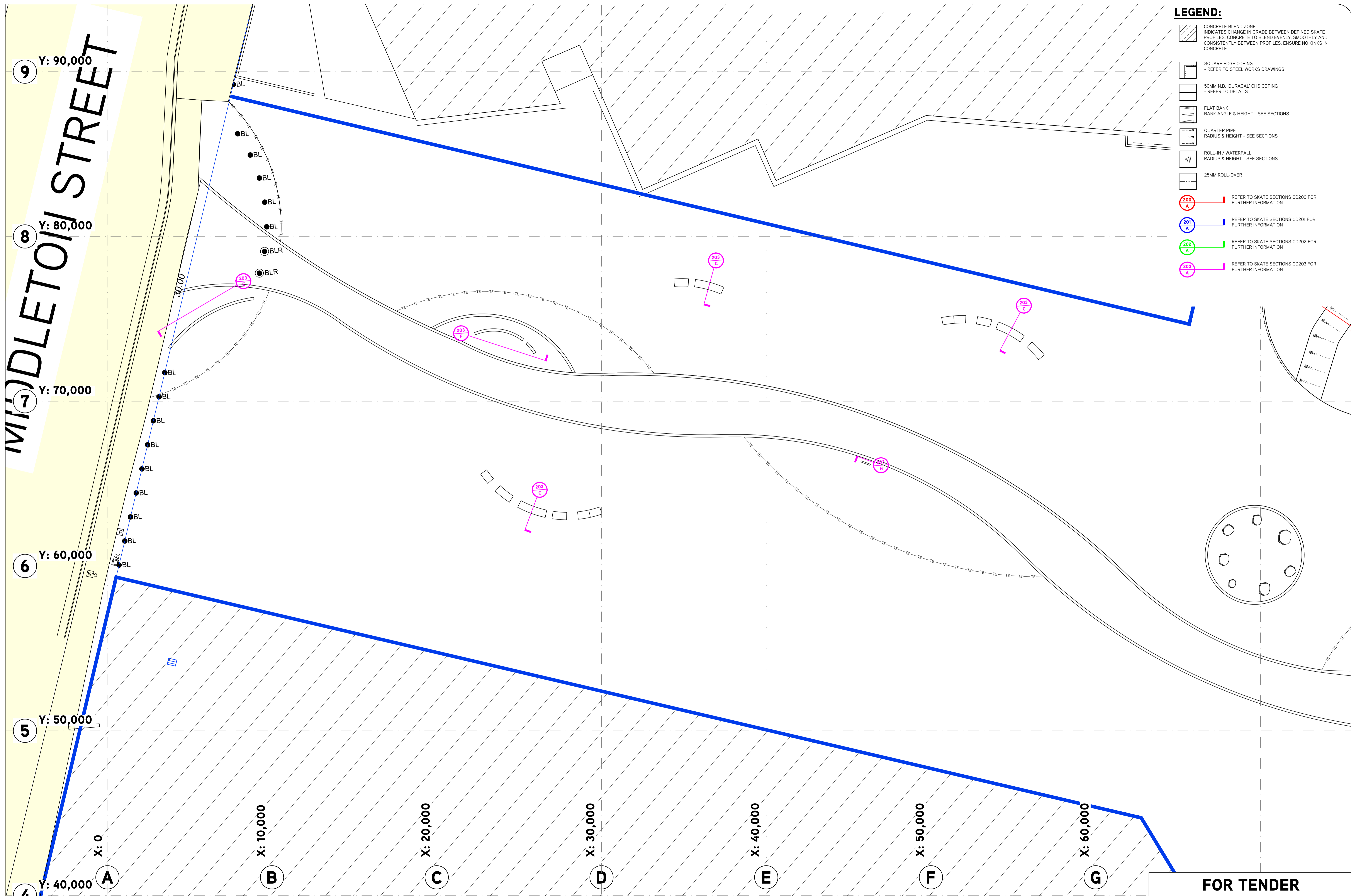
EXISTING PIT LIDS TO BE LIFTED TO ALIGN WITH PROPOSED SKATE / LANDSCAPE LEVELS.

NEW SHELTER. REFER TO MATERIALS AND FINISHES SCHEDULE.

- LEGEND:**
- EXISTING HARDSTAND TO BE RETAINED AND PROTECTED THROUGHOUT CONSTRUCTION
 - NEW SKATEPARK HARDSTAND
 - NEW PEDESTRIAN HARDSTAND
 - EXISTING TREE TO BE RETAINED AND PROTECTED THROUGHOUT CONSTRUCTION
 - TREE PROTECTION ZONE
 - EXISTING FENCELINE
 - NEW FENCE/BALLUSTRADE LINE
 - EXISTING CONTOUR - MAJOR
 - EXISTING CONTOUR - MINOR
 - PROPOSED NEW CONTOUR
 - EXTENT OF WORKS
 - PROTECTED VEGETATION ZONE
 - RUBBISH BIN ENCLOSURE
 - DRINKING FOUNTAIN
 - SAFETY SIGN
 - SHELTER
 - BALLUSTRADE/FENCE
 - CADASTRAL BOUNDARY
 - UNDERGROUND SEWER PIPE - COUNCIL TO CONFIRM WHETHER EXISTING SEWER PIPE WILL BE RELOCATED



- LEGEND:**
- PP1 PEDESTRIAN PAVEMENT CONCRETE - EXPOSED AG REFER TO MATERIALS AND FINISHES SCHEDULE
 - PP2 PEDESTRIAN PAVEMENT CONCRETE - ASPHALT REFER TO MATERIALS AND FINISHES SCHEDULE
 - PP3 PEDESTRIAN PAVEMENT CONCRETE - BROOM FINISH REFER TO MATERIALS AND FINISHES SCHEDULE
 - PP4 PEDESTRIAN PAVEMENT CONCRETE - BROOM FINISH REFER TO MATERIALS AND FINISHES SCHEDULE
 - PP5 PEDESTRIAN PAVEMENT CONCRETE - BROOM FINISH REFER TO MATERIALS AND FINISHES SCHEDULE
 - SP1 SKATE PARK CONCRETE - CONCRETE COLOUR 1 REFER TO MATERIALS AND FINISHES SCHEDULE
 - SP2 SKATE PARK CONCRETE - CONCRETE COLOUR 2 REFER TO MATERIALS AND FINISHES SCHEDULE
 - SP3 SKATE PARK CONCRETE - CONCRETE COLOUR 3 REFER TO MATERIALS AND FINISHES SCHEDULE
 - BS BRICK STENCIL REFER TO MATERIALS AND FINISHES SCHEDULE
 - RS RUBBER SOFTFALL REFER TO MATERIALS AND FINISHES SCHEDULE
 - GS GRANITIC SAND REFER TO MATERIALS AND FINISHES SCHEDULE
 - GB GARDEN BED REFER TO MATERIALS AND FINISHES SCHEDULE
 - 400 400 HIGH CONCRETE SEAT - CONCRETE COLOUR 1 REFER TO MATERIALS AND FINISHES SCHEDULE
 - 450 450 HIGH CONCRETE SEAT - CONCRETE COLOUR 2 REFER TO MATERIALS AND FINISHES SCHEDULE
 - 500 500 HIGH CONCRETE SEAT - CONCRETE COLOUR 3 REFER TO MATERIALS AND FINISHES SCHEDULE
 - SW SANDSTONE SEATING WALLS REFER TO MATERIALS AND FINISHES SCHEDULE
 - CE CONCRETE EDGE REFER TO MATERIALS AND FINISHES SCHEDULE
 - PCT POOL COPING REFER TO MATERIALS AND FINISHES SCHEDULE
 - LM LINE MARKING REFER TO MATERIALS AND FINISHES SCHEDULE
 - GT1 GRANITE LEDGE TOP REFER TO MATERIALS AND FINISHES SCHEDULE
 - SR SKATE RAIL REFER TO MATERIALS AND FINISHES SCHEDULE
 - BAL BALUSTRADE REFER TO MATERIALS AND FINISHES SCHEDULE
 - RB RUBBISH BIN ENCLOSURE REFER TO MATERIALS AND FINISHES SCHEDULE
 - DF DRINKING FOUNTAIN REFER TO MATERIALS AND FINISHES SCHEDULE
 - LP LIGHT POLE REFER TO MATERIALS AND FINISHES SCHEDULE
 - S ENTRY / SAFETY SIGN REFER TO MATERIALS AND FINISHES SCHEDULE
 - IS INFORMATIVE SIGNAGE REFER TO MATERIALS AND FINISHES SCHEDULE
 - PPT PING PONG TABLE REFER TO MATERIALS AND FINISHES SCHEDULE
 - BR BIKE RACK REFER TO MATERIALS AND FINISHES SCHEDULE
 - BL BOLLARD REFER TO MATERIALS AND FINISHES SCHEDULE
 - BLR BOLLARD - REMOVABLE REFER TO MATERIALS AND FINISHES SCHEDULE
 - S1 SHELTER 1 REFER TO MATERIALS AND FINISHES SCHEDULE
 - S2 SHELTER 2 REFER TO MATERIALS AND FINISHES SCHEDULE
 - LBS LANDSCAPE BOULDER REFER TO MATERIALS AND FINISHES SCHEDULE
 - ST1 SEAT TYPE 1 REFER TO MATERIALS AND FINISHES SCHEDULE
 - ST2 SEAT TYPE 2 REFER TO MATERIALS AND FINISHES SCHEDULE
 - TE — TIMBER EDGE
- NOTES:**
1. LIGHT POLES SHALL BE POWDER COATED BLACK
 2. REFER TO SHELTER DETAILS FOR SURFACE TREATMENTS.



- LEGEND:**
- CONCRETE BLEND ZONE
INDICATES CHANGE IN GRADE BETWEEN DEFINED SKATE PROFILES. CONCRETE TO BLEND EVENLY, SMOOTHLY AND CONSISTENTLY BETWEEN PROFILES. ENSURE NO KINKS IN CONCRETE.
 - SQUARE EDGE COPING
- REFER TO STEEL WORKS DRAWINGS
 - 50MM N.B. 'DURAGAL' CHS COPING
- REFER TO DETAILS
 - FLAT BANK
BANK ANGLE & HEIGHT - SEE SECTIONS
 - QUARTER PIPE
RADIUS & HEIGHT - SEE SECTIONS
 - ROLL-IN / WATERFALL
RADIUS & HEIGHT - SEE SECTIONS
 - 25MM ROLL-OVER
 - REFER TO SKATE SECTIONS CD200 FOR FURTHER INFORMATION
 - REFER TO SKATE SECTIONS CD201 FOR FURTHER INFORMATION
 - REFER TO SKATE SECTIONS CD202 FOR FURTHER INFORMATION
 - REFER TO SKATE SECTIONS CD203 FOR FURTHER INFORMATION

MIDDLETON STREET

9 Y: 90,000
8 Y: 80,000
7 Y: 70,000
6 Y: 60,000
5 Y: 50,000
4 Y: 40,000

X: 0
X: 10,000
X: 20,000
X: 30,000
X: 40,000
X: 50,000
X: 60,000

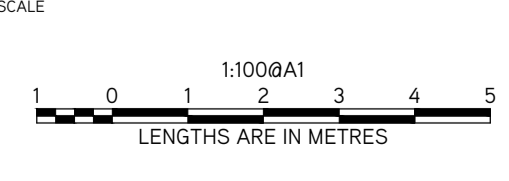
A B C D E F G



This drawing and design is subject to copyright and may not be reproduced without prior written consent. Contractor to verify all dimensions on site before commencing work. Report all discrepancies to Superintendent prior to construction.
Figured dimensions to be taken in preference to scaled drawings.
© Convic 2021

CLIENT
BYRON SHIRE COUNCIL

DRAWN
JM
CHECKED
CM
DIRECTOR
JUT



B	FOR TENDER	24.05.21
A	ENGINEER REVIEW	14.05.21

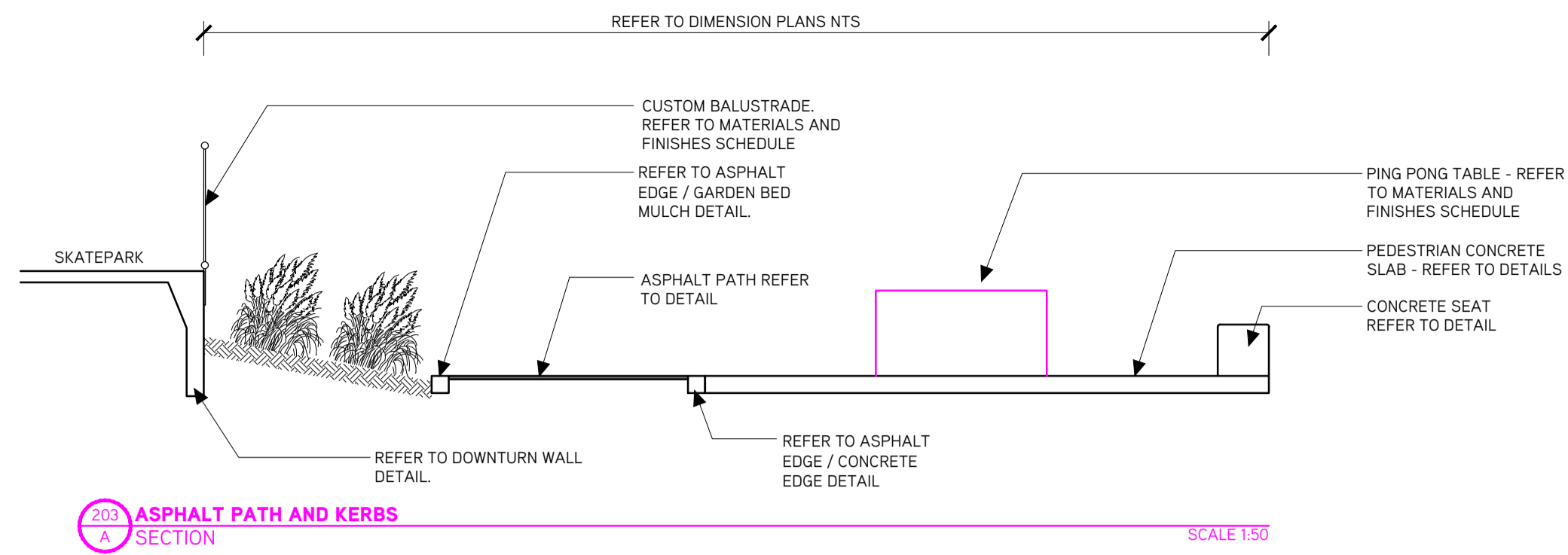
PROJECT
BYRON BAY SKATE PARK
LOT 440 MIDDLETON ST, BYRON BAY NSW 2481

DRAWING TITLE
SECTION KEY PLAN 01

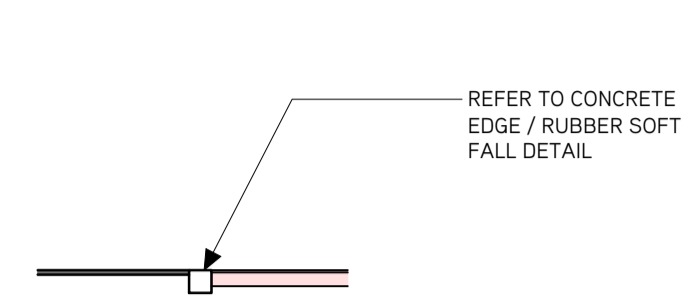
FOR TENDER

DRAWING NUMBER
20079_CD124

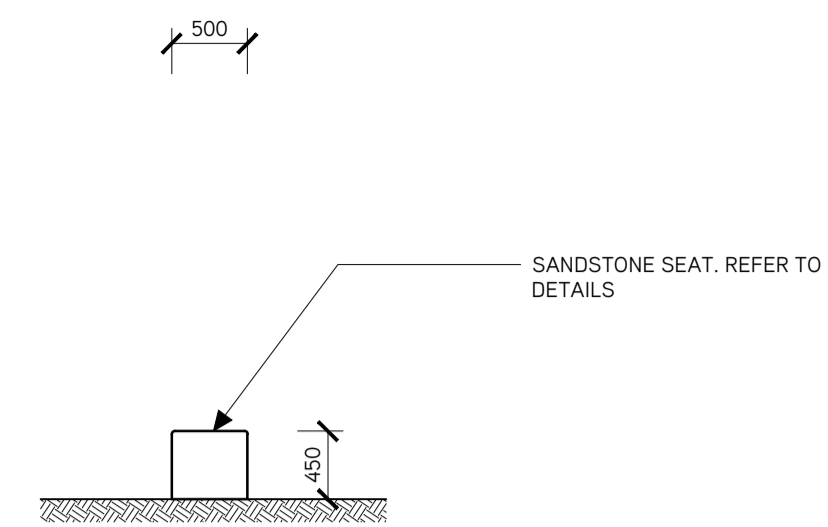
REV
B



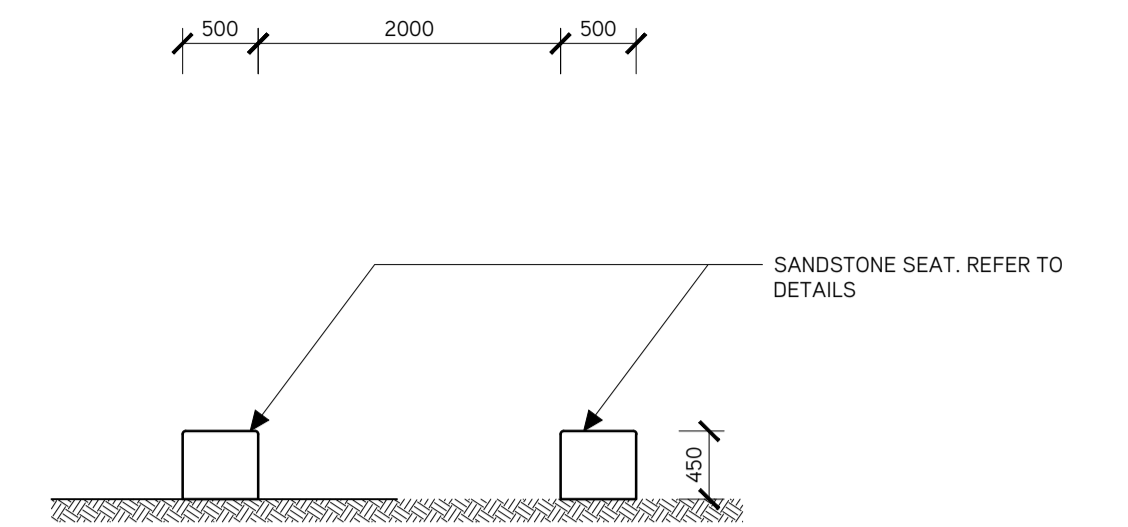
203 A ASPHALT PATH AND KERBS SECTION SCALE 1:50



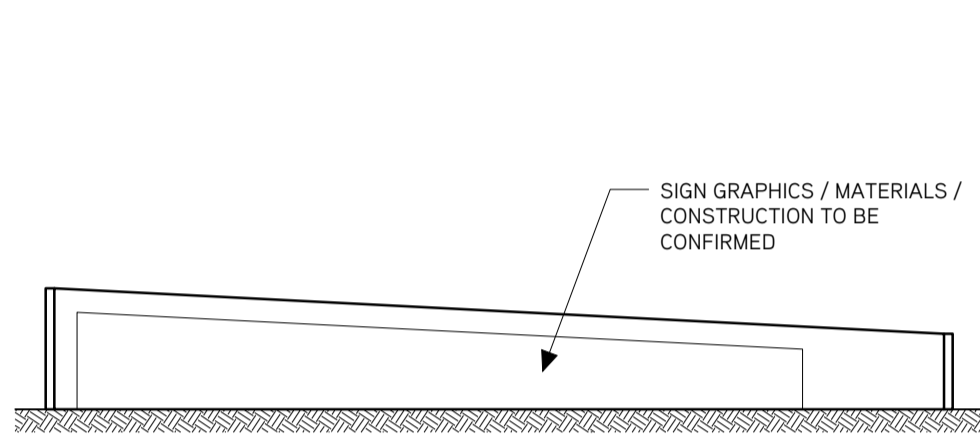
203 B ASPHALT PATH / RUBBER SOFT FALL SECTION SCALE 1:50



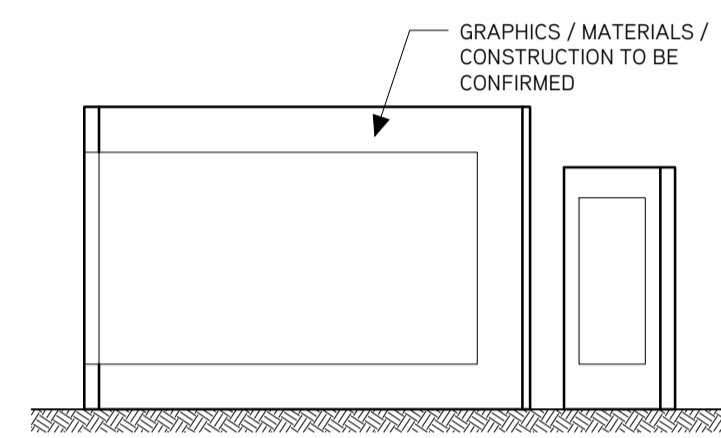
203 C SANDSTONE SEATING SECTION SCALE 1:50



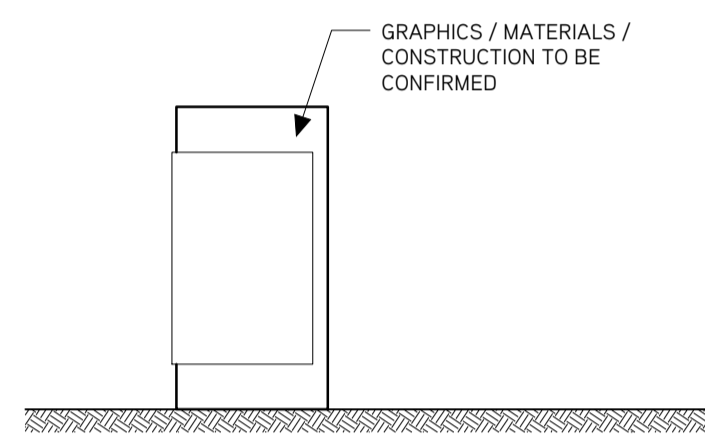
203 D SANDSTONE SEATING - 2 ROWS SECTION SCALE 1:50



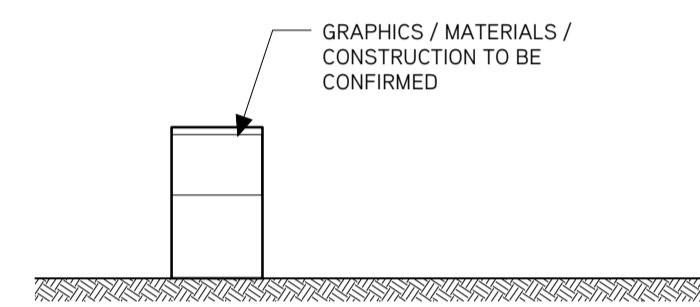
203 E ENTRY SIGN SECTION SCALE 1:50



203 F WELCOME SIGN SECTION SCALE 1:50



203 G SAFETY SIGN SECTION SCALE 1:50



203 H BUSH TUCKER SIGN SECTION SCALE 1:50



TYPE: ENTRY SIGN
 QUANTITY: 2 UNITS
 MATERIAL: 150mm CONCRETE WALL WITH 3mm ROLLED CORTEN SIGNAGE PANEL
 DIMENSIONS: 6m WIDE x 0.5m TO 0.8m HIGH, RADIUS 8m
 TEXT: CNC CUT LETTERING IN CORTEN PANEL

700 ENTRY SIGN
 A 3D VIEW

SCALE NTS



TYPE: WELCOME SIGN
 QUANTITY: 1 UNIT (2 INDIVIDUAL SIGNS)
 MATERIAL: PART 1 - 150mm CONCRETE WALL WITH 3mm CORTEN SIGNAGE PANEL
 DIMENSIONS: PART 1 - 3m WIDE x 2m HIGH, RADIUS 3m
 TEXT: CNC CUT + CNC ENGRAVED LETTERING ON CORTEN PANEL
 PART 2 - 150mm CONCRETE WALL WITH 3mm CORTEN SIGNAGE PANEL
 DIMENSIONS: PART 2 - 0.8m WIDE x 1.6m HIGH, RADIUS 3m

700 WELCOME SIGN
 B 3D VIEW

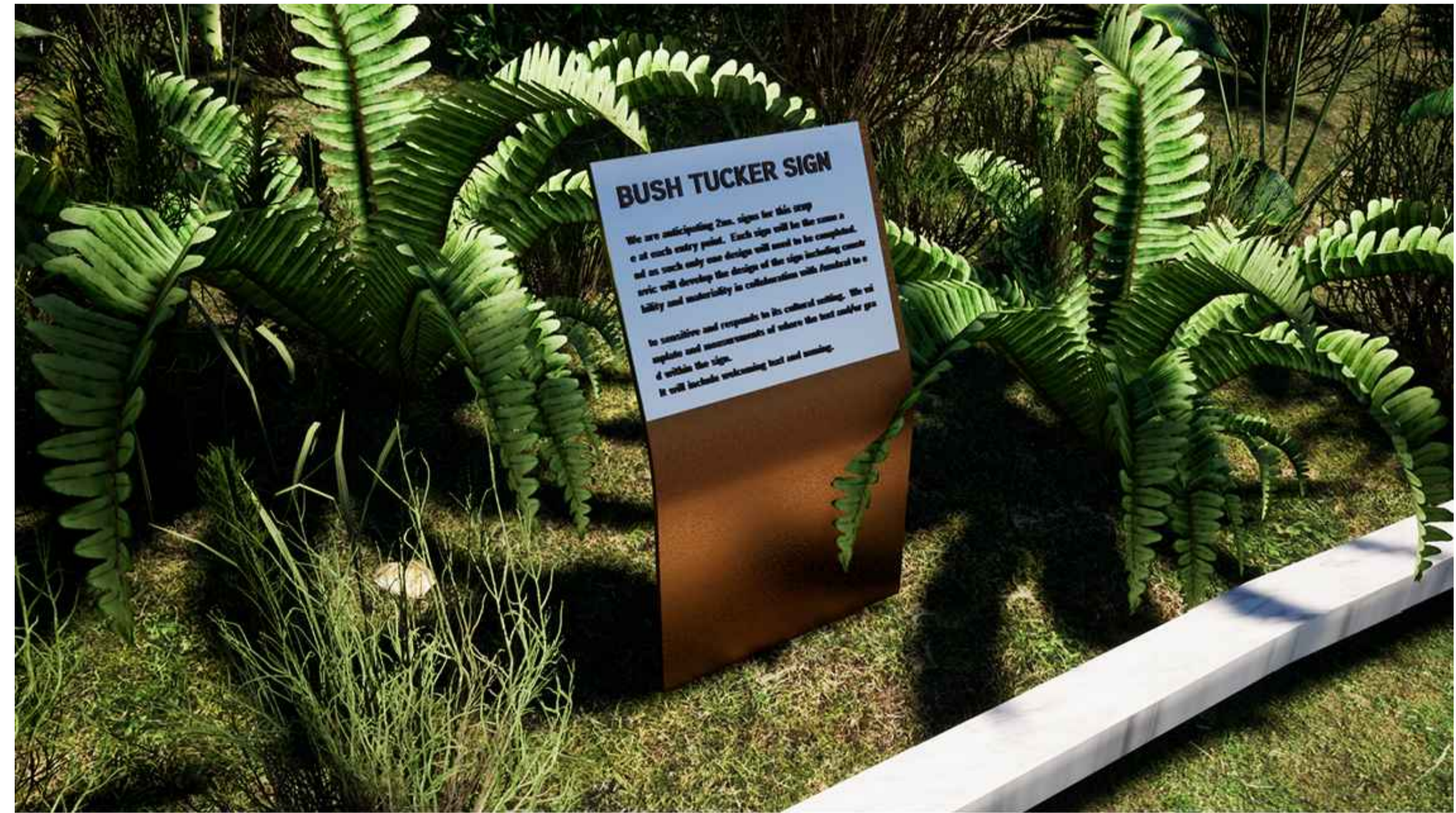
SCALE NTS



TYPE: SAFETY SIGN
 QUANTITY: 2 UNITS
 MATERIAL: 150mm CONCRETE WALL WITH 3mm FOLDED CORTEN SIGNAGE PANEL
 DIMENSIONS: 1m WIDE x 2m HIGH
 TEXT: CNC CUT + CNC ENGRAVED LETTERING ON CORTEN PANEL

700 SAFETY SIGN
 C 3D VIEW

SCALE NTS



TYPE: BUSH TUCKER SIGN
 QUANTITY: 3 UNITS
 MATERIAL: 10mm FOLDED CORTEN WITH 3mm BRUSHED STAINLESS STEEL SIGNAGE PANEL
 DIMENSIONS: 0.6m WIDE x 1m HIGH
 TEXT: CNC ENGRAVED LETTERING ON STAINLESS STEEL PANEL

700 BUSH TUCKER SIGN
 D 3D VIEW

SCALE NTS

B	FOR TENDER	24.05.21
A	ENGINEER REVIEW	14.05.21